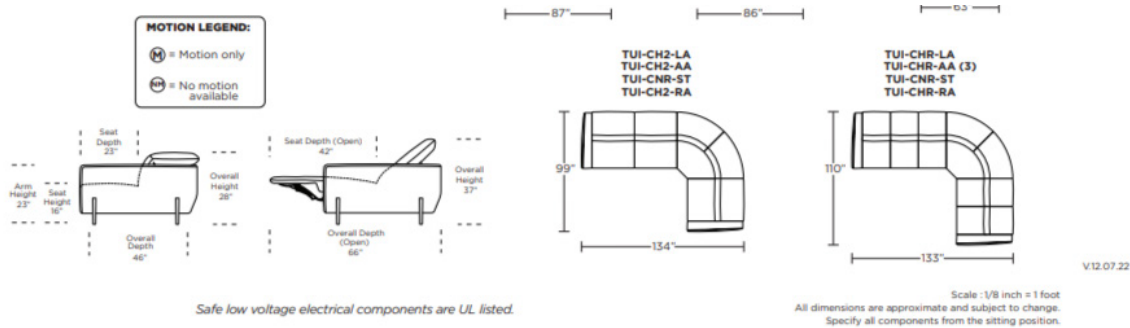




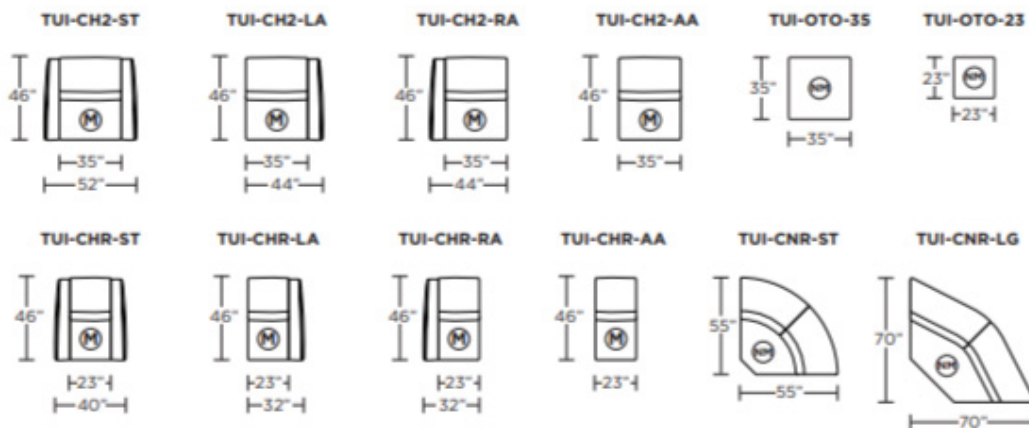
<p>Dimensions</p> <p>OTTOMAN SMALL</p> <p>OTTOMAN LARGE</p> <p>CHAIR</p> <p>NARROW 3 SEAT SOFA</p> <p>WIDE 2 SEAT SOFA</p> <p>WIDE SEAT SECTIONAL</p> <p>NARROW SEAT SECTIONAL</p>	<p>W23" / D23" / H16"</p> <p>W35" / D35" / H16"</p> <p>W52" / D46"- 66" / SD23" / H28" / SH16" / AH23"</p> <p>W86" / D46"- 66" / SD23" / H28" / SH16" / AH23"</p> <p>W87" / D46"- 66" / SD23" / H28" / SH16" / AH23"</p> <p>W134" / D99" / SD23" / H28" / SH16" / AH23"</p> <p>W133 / D110" / SD23" / H28" / SH16" / AH23"</p>
<p>Options</p>	<p>Configuration</p> <p>Upholstery</p> <p>Contrasting welt detail available</p> <p>Contrasting stitch detail</p> <p>2-amp hour lithium-ion battery pack available</p> <p>Metal legs</p>
<p>Details</p>	<p>Advanced unidirectional suspension system</p> <p>Premium high-density, high-resiliency foam seat cushions</p> <p>Loose arm, back and seat cushions</p> <p>Single-needle top-stitch</p>
<p>Material</p>	<p>Leather or fabric</p> <p>Metal leg</p> <p>High density or extra firm foam</p>

prices subject to change | delivery not included



Safe low voltage electrical components are UL listed.

TURIN



Suggested Configurations

