



**Dimensions**

SMALL TABLE LAMP	W27.5" max BASE7.5" H7-26"
MEDIUM TABLE LAMP	W34.5" max BASE7.5" H7-33"
SMALL FLOOR LAMP	W27.5" max BASE9.5" H38-57"
MEDIUM FLOOR LAMP	W34.5" max BASE9.5" H38-64"
SMALL CLAMP TABLE LAMP	W27.5" max BASE3" H41.5" max
MEDIUM CLAMP TABLE LAMP	W34.5" max BASE3" H41.5" max
SMALL WALL MOUNTED LAMP	W27.5" max H34.5" max
MEDIUM WALL MOUNTED LAMP	W34.5" max H41.5" max

**Material**

Aluminum Body + Polycarbonate Lense + Steel Base

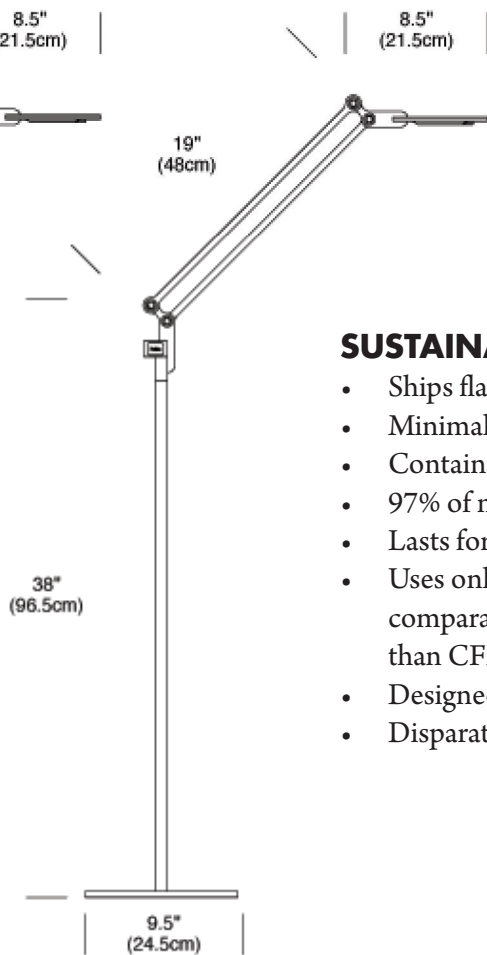
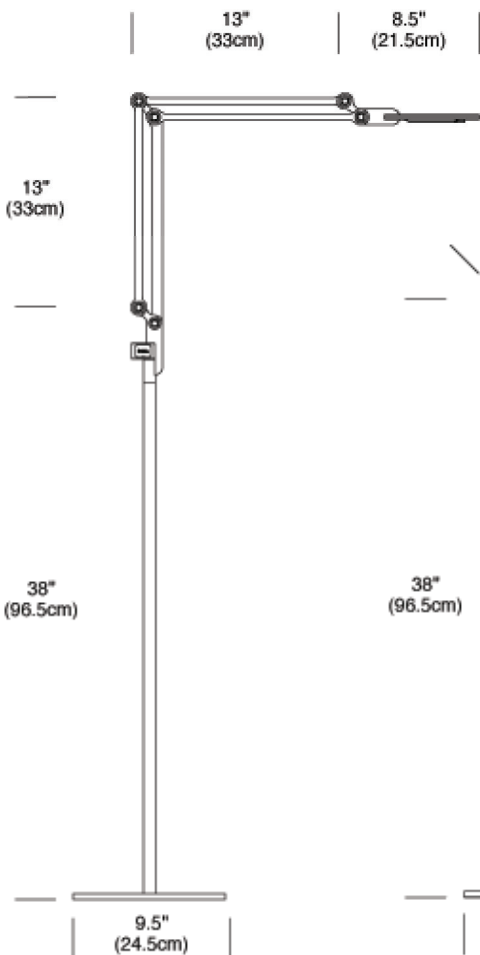
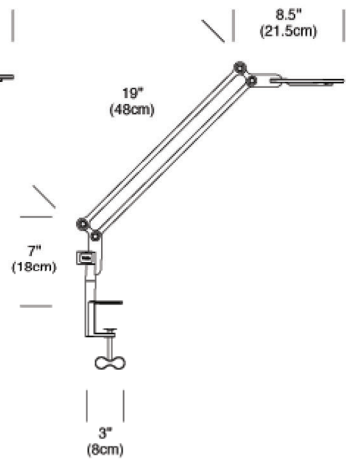
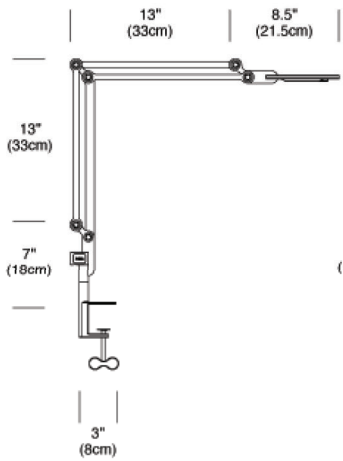
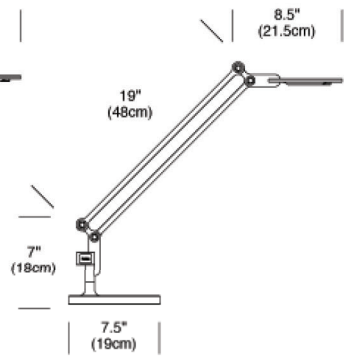
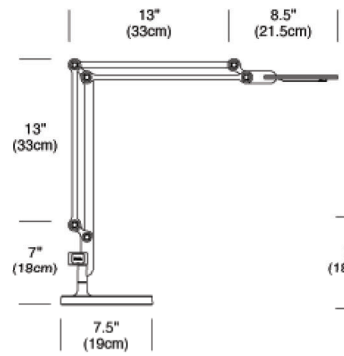
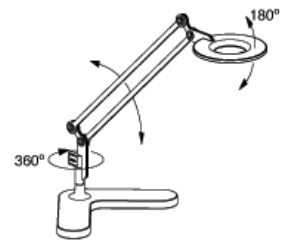
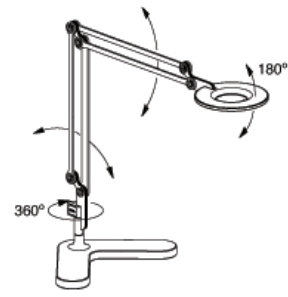
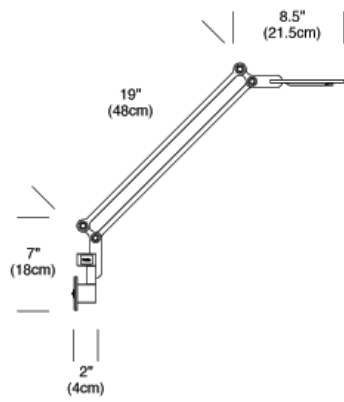
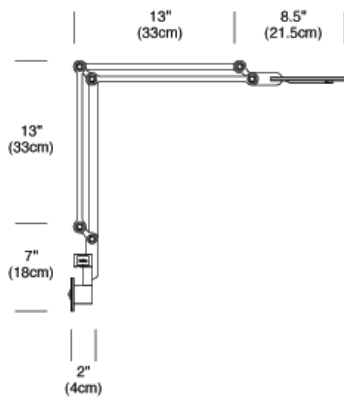
**Details**

LED light  
 360° rotation at base  
 180° front to back head tilt  
 Height adjustability  
 Hi-low dim control  
 8' Cord length

**Options**

Colors: white, matte silver, black, orange, + green

prices subject to change | delivery not included



## SUSTAINABILITY FEATURES

- Ships flat-packed
- Minimal use of materials
- Contains no hazardous materials such as mercury
- 97% of material is recyclable
- Lasts for 50K hours or 25 years of daily use
- Uses only 7W of power (90% more efficient than a comparable halogen light source, 40% more efficient than CFLs)
- Designed for disassembly
- Disparate materials are easy to separate for recycling